

HYDRAULIC SCISSORS LIFT (PLATFORM)

DPNH 0,2 – 2,5t

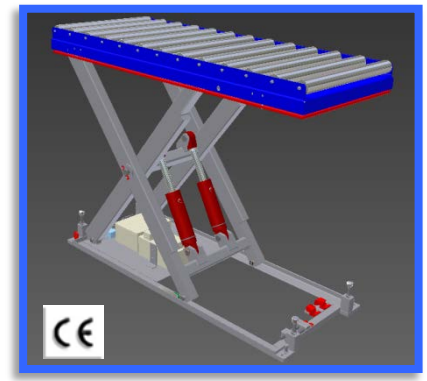
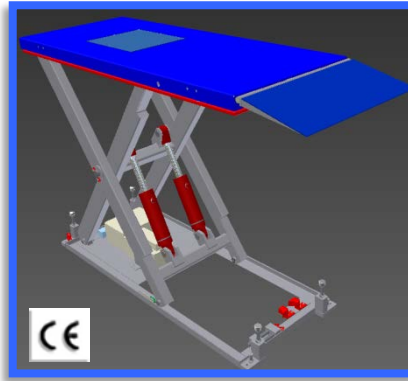
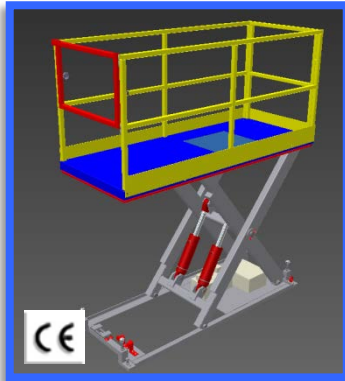
v1

2013/01/23

The DPNH type lift with a load capacity of 0,2 - 2,5t is a new model among hydraulic scissor lifts manufactured by FAMAD.

The undoubted advantages of this type of lift are:

- all moving joints are made with bolt systems of high grade steel + oil retaining brush, which allows for long usage of this machine without fear of a breakdown or a need for maintenance and lubrication.
- and innovational compact hydraulic unit (with the motor contained in the oil tank) is located inside the lift, with an oil pump with a low noise level and a valve that prevents an undesired decrease in height due to oil leakage.
- thanks to the minimal power of the electric drive, located in the hydraulic system, these mechanisms are efficient and easy to use.



TECHNICAL AND OPERATIONAL DATA:

Max load (min – max)	kg	200 - 2500
Table dimensions (min / max)	mm	800x2000 / 2000 x 3200
Height when folded	mm	~ 280 ~ 385
Working interval (max) (depending on table length)	mm	1100 / 1500
Lifting time (depending on the type of pump used)	s	25 – 40
Pressure in the hydraulic system (max) (depending on the type of pump used)	MPa	max 20
Noise level	DbA	< 75
Installed power (depending on load)	kW	1,5 - 3,0
Electric supply	V AC	3/N/PE, 400V 50Hz
Control voltage	V DC	24
Appliance mass (depending on table dimensions)	kg	350 / 1000

The lift can be equipped with roller conveyors, a rotating table, barriers, flaps, and other mechanisms, offered in a wide range of table dimensions and lifting heights depending on the client's needs.

*Lifts are inspected according to appendix C of the PN-EN 1570:2002 standard – "SAFETY REQUIREMENTS REGARDING TABLE LIFTS", and have a **CE COMPLIANCE DECLARATION** and all necessary documents for UDT registration.*