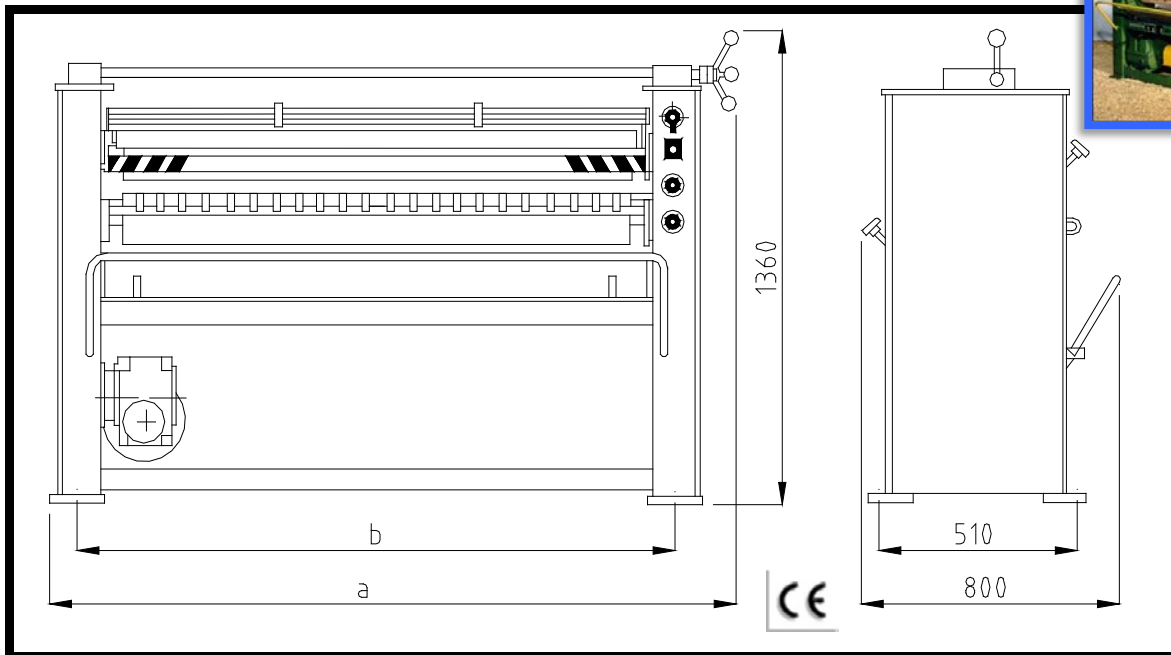


## TWO CYLINDER GLUE SPREADER **DOVD – 130**

v1

2013/01/23

The DOVD-130 two cylinder glue spreader is designed for the one or two sided appliance of glue on panel surfaces and other flat elements. Working surfaces of the cylinders can be smooth or grooved. Setting the thickness of coated elements and the amount of glue spread is quick and easy, using hand wheels. The spreaders can be distinguished as having a precise regulation of spread glue and an impressive uniformity of spreading.



### TECHNICAL AND OPERATIONAL DATA:

Working cylinder diameter	mm	<b>190</b>
Cylinder circumferential speed	m/min	<b>28 (21)</b>
Minimum thickness of coated boards	mm	<b>1,0</b>
Maximum thickness of coated boards	mm	<b>60,0</b>
Cylinder working length	mm	<b>1320 (320)</b>
Minimal amount of spread glue	g/m <sup>2</sup>	<b>90</b>
Motor power	kW	<b>1,1 (0,55)</b>
Supply voltage	V AC	<b>3/N/PE, 400V 50Hz</b>
Working voltage	V DC	<b>24</b>
Appliance mass without packaging	kg	<b>520 (320)</b>
Machine dimensions:		
• Length	mm	<b>1790 (790)</b>
• Width	mm	<b>750</b>
• Height	mm	<b>1360</b>